

# PRODUCT INSERT

## TITLE: Rebuilding Flow Process Vessel SST 22ml (500362).

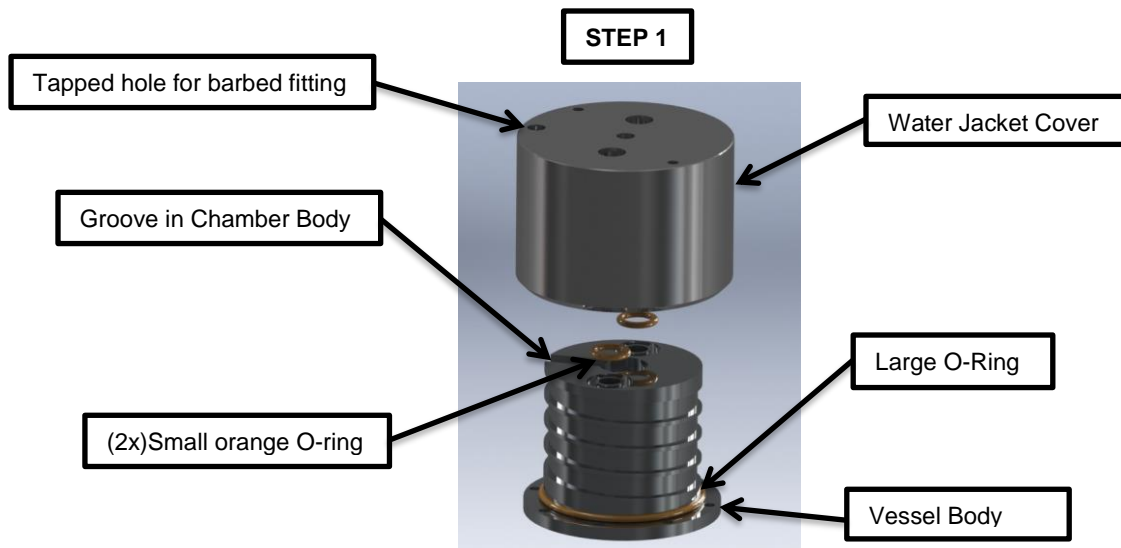


Observe Universal Precautions for handling of biological specimens, as detailed in this document.

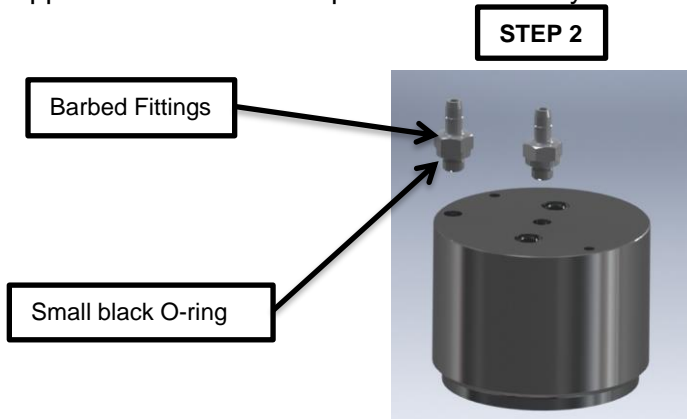
### INSTRUCTIONS FOR USE

#### *Purpose*

The purpose of this insert is to show how to rebuild Flow Process Vessel SST 22ml (500362).

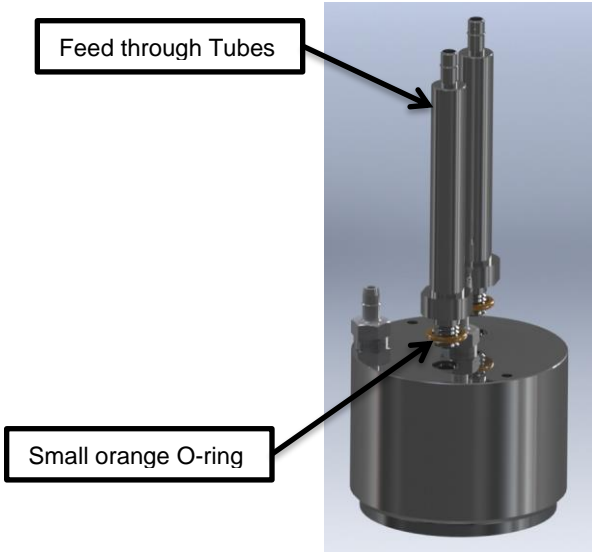


Slide the largest orange O-ring in rebuild kit over chamber body and seat to flange as show. Place two small orange O-rings into grooved area as shown, slide Water Jacket Cover over Vessel Body. Note location of Barbed fitting tapped hole in relationship to Chamber Body.



Remove and replace if required small black O-ring on Barbed Fitting and tighten fittings into place.

## STEP 3

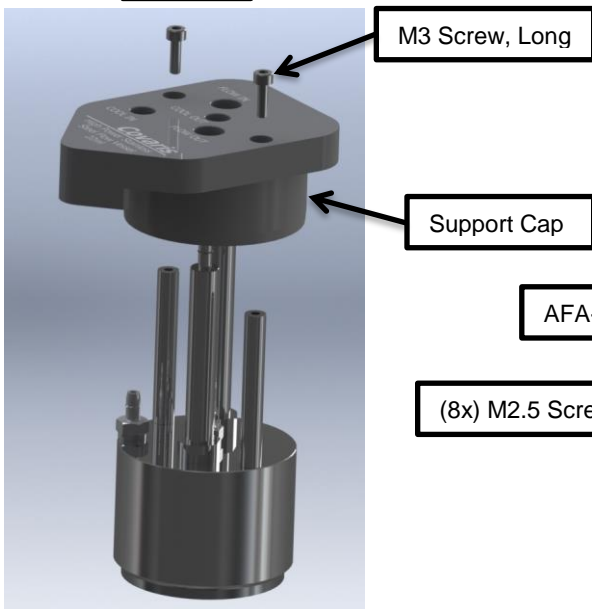


## STEP 4

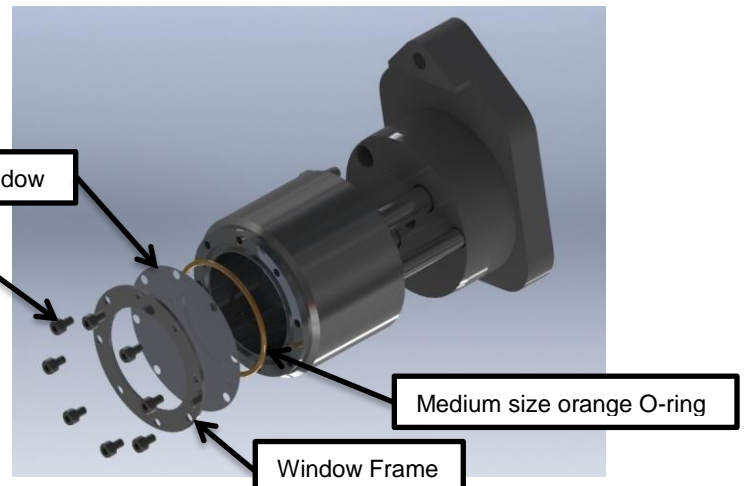


Position small orange O-ring inside groove of Feed through tube. Tighten tubes securely in place. Thread in Support Cap Standoffs in place, finger tight only.

## STEP 5



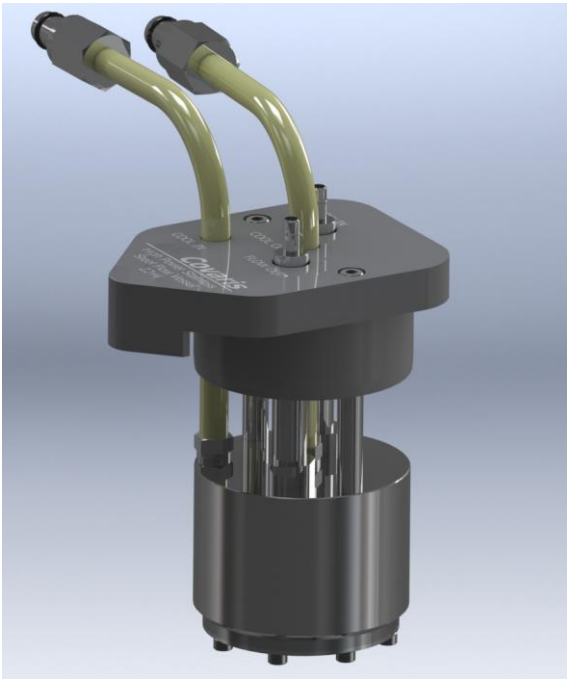
## STEP 6



Slide Support cap down over Support Cap Standoffs and secure in place with two M3 Screws.

AFA-Window assembly: Install medium size orange O-ring into groove Vessel Body, insure groove is free of any foreign matter. Position Stainless Steel Window over O-ring, again holes to Camber Body. Position Window Frame over AFA-Window and secure in place using 8 M2.5 Screws.

## STEP 6



Reinstall water connections to assembly. Test for leaks by plugging water fittings into chiller and turning on water system.

If a leak occurs check the following.

Inside Chamber Body fills with water.

Small orange O-rings shown in Step 1 are missing or installed incorrectly.

Leaks around Base of assembly.

Feedthrough tubes shown in step 3 may be installed to loosely, try tightening tubes again. Or Large orange may be installed incorrectly.

## UNIVERSAL PRECAUTIONS



Universal Precautions should be followed on all specimen samples, regardless of whether a sample is known to contain an infectious agent. Laboratories handling specimen samples are advised to comply with applicable parts of the following governmental and clinical standards, or their equivalent in the country of use:

- Centers for Disease Control (CDC), Universal Precautions for Prevention of Transmission of HIV and Other Blood borne Infections, published 1987, updated 1996
- Clinical and Laboratory Standards Institute (CLSI), GP17-A2 Clinical Laboratory Safety; Approved Guideline - Second Edition, published 2004, ISBN 1-56238-530-5
- Clinical and Laboratory Standards Institute (CLSI), M29-A3 Protection of Laboratory Workers from Occupationally Acquired Infections; Approved Guideline, Third Edition, published 2005, ISBN 1-56238-5674
- Occupational Safety and Health Administration (OSHA), 29 CFR 1910.1030 Blood borne Pathogens
- International Standards Organization (ISO) 15190:2003, Medical Laboratories – Requirements for Safety

### ***Storage Conditions Prior to Use***

Stainless chambers and rebuilding kits may be stored at room temperature until employed.

### ***Limitations on in vitro Usage***

Stainless Chambers are developed, designed, and sold for research use only. They are not to be used for human diagnostic purposes or treatment unless expressly cleared for that purpose by the Food and Drug Administration in the USA or the appropriate regulatory authorities in the country of use.

### ***Product Warranty Guarantee***

Covaris guarantees the performance of all products when used in accordance with our written instruction, under normal operating conditions, and during the expiration period. The user must determine the suitability of the product for its particular use. Should any product fail to perform satisfactorily due to any other reason than misuse, Covaris will replace it free of charge. We reserve the right to change, alter, or modify any product to enhance its performance or design. If a product does not meet your expectations, please contact Covaris Technical Assistance.

### ***Technical Assistance***

On-going assistance with the operation or application of any of our products is provided via:

- Telephone during the hours of 9AM to 5PM, Monday through Friday, (GMT-05:00) Eastern Time (US & Canada) +1 781 932 3959
- E-mail queries to [techsupport@covarisinc.com](mailto:techsupport@covarisinc.com)