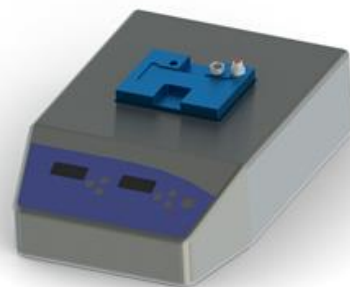


## TITLE: FFPE tissuePICK™ & FFPE sectionWARMER™

The FFPE tissuePICK is designed to collect FFPE tissue from sections mounted on slides. The small cross section and unique surface properties of the FFPE tissuePICK allow for easy collection of small discrete areas as well as large tissue sections from single or multiple slides.

The FFPE sectionWARMER is designed to warm the slide-mounted FFPE section and facilitate tissue collection with the FFPE tissuePICK. FFPE tissuePICK and FFPE sectionWARMER are designed to be used with Covaris truXTRAC™ kits for DNA and RNA extraction from FFPE samples.



### ORDERING INFORMATION

Name	Description	Part Number
FFPE tissuePICK (25)	Tray of 25 single use tissuePICKs	520163
FFPE tissuePICK Forceps (5)	Forceps for the tissuePICK	520164
FFPE sectionWARMER	Heat block for slides	500403
truXTRAC FFPE DNA Kit	Contains reagents and consumables required for the high yield and high quality DNA extraction and purification from 25 FFPE tissue samples	520136
truXTRAC FFPE RNA Kit	Contains reagents and consumables required for the high yield and high quality RNA extraction and purification from 25 FFPE tissue samples	520161

**NOTE:** Use of these products requires a compatible dry block heater. See below for a list of compatible heaters

### Compatible heater:

- We recommend a VWR digital dry block heater from the 12621 product range
  - PN 12621-084 for 110V customers
  - PN 12621-086 for 230V customers
- For other compatible heater, please check Appendix A and the nominal dimensions of the FFPE sectionWARMER.

**CAUTION:** Before first use, the dry block heater and FFPE sectionWARMER should be calibrated. Please see Appendix B for a procedure.

### PRODUCT SPECIFICATIONS

Maximum Tissue Area (5µm thick section)	100 mm <sup>2</sup>
Minimum Tissue Area (5µm thick section)	10 mm <sup>2</sup>
Resolution	2 mm

## INSTRUCTIONS FOR USE

1. Place FFPE sectionWARMER in heater as shown in figure 1.

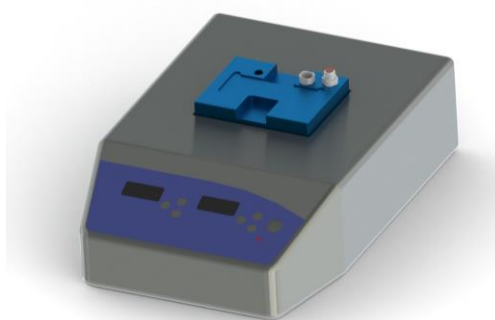


Figure 1 - FFPE sectionWARMER placed in heater

2. Set the dry block heater temperature to 40°C.
3. Open the receiving Covaris microTUBE and place it in the FFPE sectionWARMER tube cavity.
4. Wait for the temperature to reach the set point.
5. Place the FFPE tissue section slide in the slot as shown in figure 2 (tissue side up) and wait for 30 seconds.

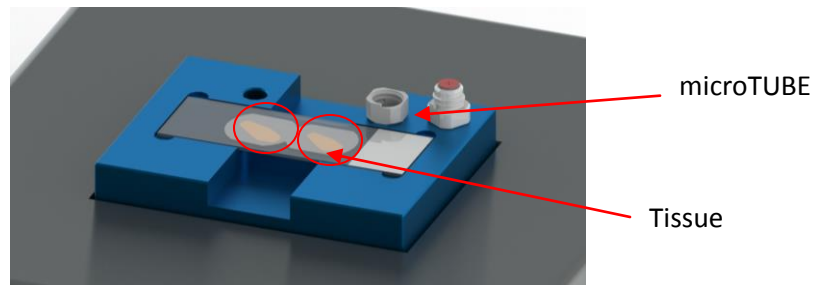


Figure 2 – Slide placed into FFPE sectionWARMER

6. Use open forceps to grasp a new tissuePICK from the tray.  
**Important:** Ensure the forceps jaws touch the plastic tray as the tissuePICK is being gripped. Check tissuePICK alignment before locking the forceps.

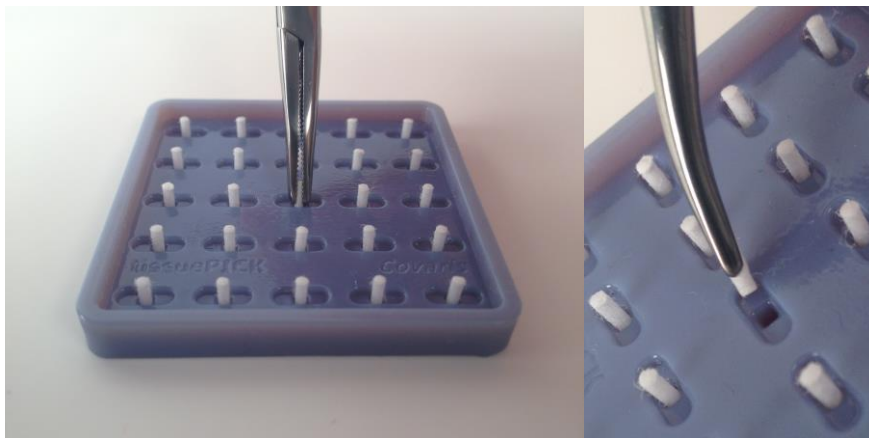


Figure 3 – Forceps should make contact with the tray and alignment with tissuePICK checked before locking

7. Lock the forceps.
8. Using a 10  $\mu\text{L}$  pipet tip, add 2  $\mu\text{L}$  Tissue SDS Buffer directly to the tip of the tissuePICK immediately before sample collection. Buffer volume may be adjusted depending on tissue and slide type.

**Important:**

- 2  $\mu\text{L}$  is sufficient for removal of up to a 30  $\text{mm}^2$  sample
  - Do not add more than 2  $\mu\text{L}$  buffer at a time
  - 2  $\mu\text{L}$  of buffer should be added directly to the tip of the tissuePICK for each additional 30  $\text{mm}^2$  of sample
  - A maximum of 100  $\text{mm}^2$  of a 5 $\mu\text{m}$  thick sample can be collected on a single tissuePICK
9. Grip the forceps between your thumb and middle finger as shown below.



Figure 4 – Grip the forceps like a pen

10. Use your thumb to apply downward force and rub across the area you wish to collect.
  - a. Repeat until all the required tissue has been collected.
  - b. Only tissue should be removed, extraneous paraffin should be left on the slide.
11. Place the tissuePICK into a Covaris microTUBE and release the lock on the forceps in order to drop it into the tube.

**Note:** It may be necessary to detach the tissuePICK from the forceps using a clean pipet tip.



If the first tissuePICK is saturated with tissue sample, you can repeat steps 6 to 11 with a second tissuePICK. A maximum of two tissuePICK can be loaded in a microTUBE for extraction.

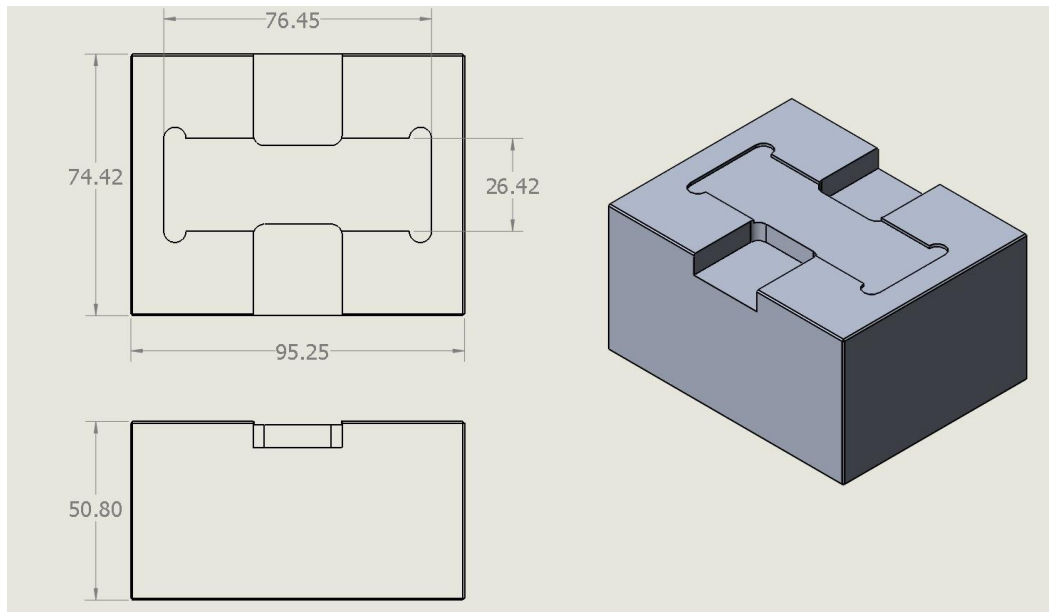
12. Proceed to the Covaris truXTRAC extraction process.



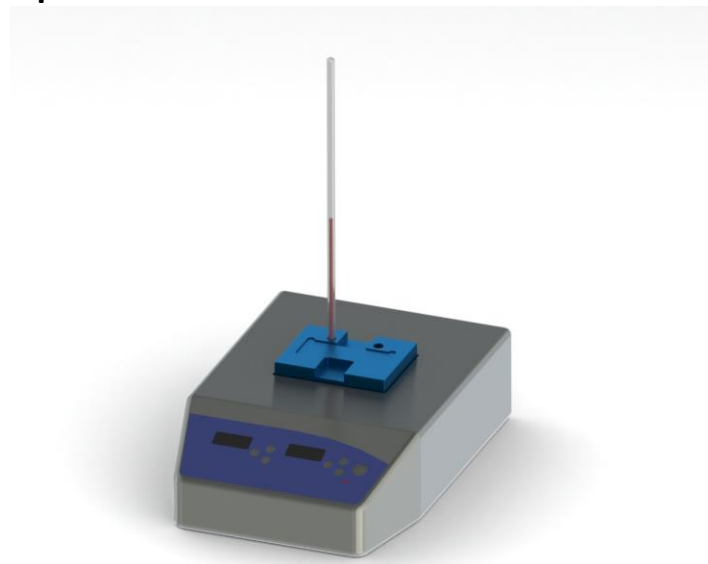
**FFPE tissuePICK instructions video**

<http://covarisinc.com/tissuePICK-instructions/>

## Appendix A - Nominal Dimensions (in millimeters)



## Appendix B – Calibration procedure



1. Place a thermometer in the hole in one corner of the FFPE section WARMER, as shown on the figure above
2. Set the heater temperature to 40°C (**Tset**)
3. Wait for the heater to reach the set point
4. Check temperature displayed by the thermometer (**Tth**)
5. If **Tth** is between 38°C and 42°C, calibration is correct
6. Otherwise, calculate a new temperature set point with the formula below

$$\text{New Temperature set point (}^{\circ}\text{C)} = 2 \times \text{Tset} - \text{Tth}$$